

Product information

73 71 180

KNIPEX TwinForce®

High Performance Diagonal Cutters

DIN ISO 5749

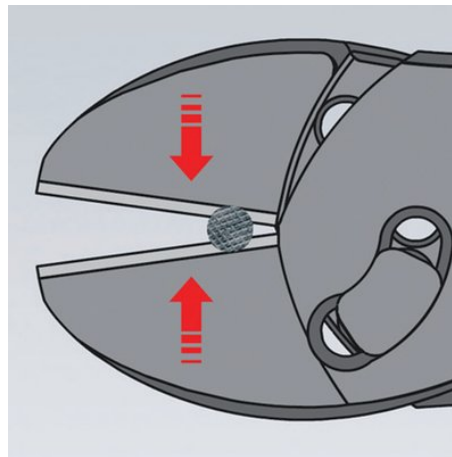
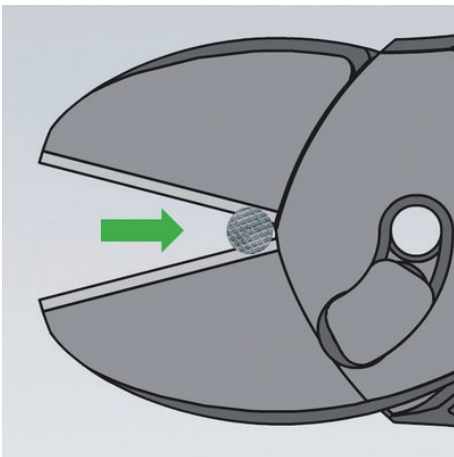


- The superior High-Leverage Diagonal Cutter with patented double joint
- Ideal transmission of force due to double-hinged design
- Reliably cuts all types of wire, including steel tape
- For rough or very fine cutting
- Low cutting impact: gentle on hands. The tension on muscles and tendons is relieved
- For comfortable cutting, repetitive cutting or extremely hard cutting jobs
- High degree of stability and zero-backlash due to precisely milled forged-in axles
- Cutting edges additionally induction-hardened, cutting edge hardness approx. 64 HRC



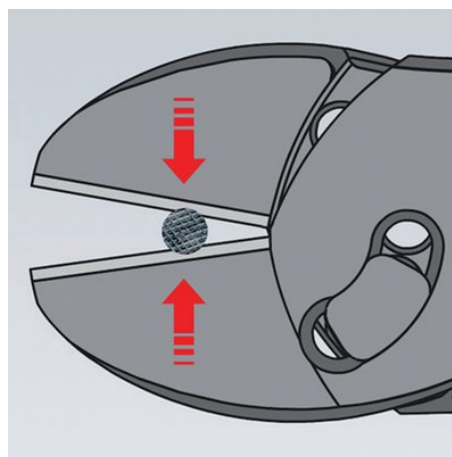
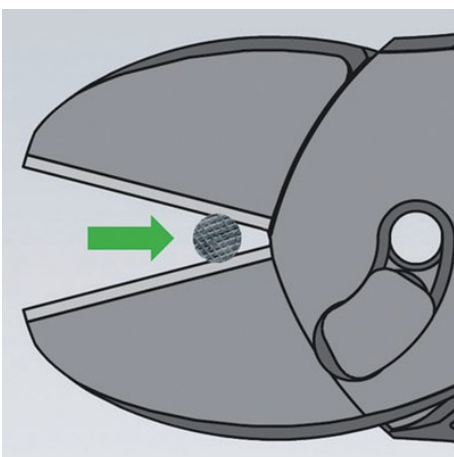
General	
Article No.	73 71 180
EAN	4003773074762
Pliers	black atramentized
Head	polished
Handles	plastic coated
Weight	255 g
Dimensions	180 x 49 x 16 mm
Standard	DIN ISO 5749
REACH compliant	does not contain SVHC
RoHS compliant	not applicable
Technical details	
Cutting capacities soft wire (diameter)	Ø 5.5 mm
Cutting capacities medium hard wire (diameter)	Ø 4.6 mm
Schneidwerte harter Draht (Durchmesser)	Ø 3.2 mm
Cutting capacities piano wire (diameter)	Ø 3.0 mm

technical change and errors excepted



You can repeat this process if necessary.

Continue cutting in the same location along the wire. Now cutting is much more easier because the wire remains in place closer to the fulcrum.



First make a notch in the wire using the KNIPEX TwinForce® until the required hand force increases considerably. Now open the pliers and slide the wire backwards towards the joint. Hold the cutting edge in the notches you have made in step 1.

Insert the wires as close to the hinge as possible. In case of cutters with very high transmission, the width of the gap between the cutting edges close to the fulcrum may be less than the thickness of the wire. Wires may slip forward when the cutting starts.