

Product information

36 32 125

Electronics Mounting Pliers

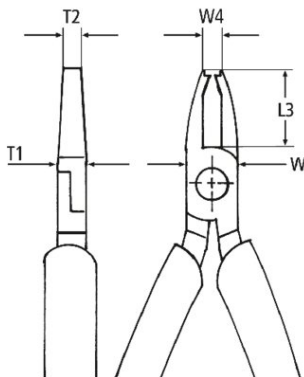


- To crunch and cut wire at 1.6 mm length below the board
- Precision pliers for very fine assembly and repair work in electronics
- For bending and cutting off wire ends on components
- Sturdy, zero backlash box joint
- Smooth ground gripping surfaces
- Edges carefully deburred
- Low-friction double spring for gentle and even opening
- The mirror polish together with a fine film of oil offer effective rust protection - no circuit faults caused by peeling chrome from plated tools

MM

General	
Article No.	36 32 125
EAN	4003773016885
Head	mirror polished
Handles	with multi-component grips
Weight	108 g
Dimensions	125 x 61 x 18 mm
REACH compliant	does not contain SVHC
RoHS compliant	not applicable

Technical details	
Cutting capacities soft wire (diameter)	Ø 1.0 mm
Jaw thickness (joint) (T1)	7.5 mm
Tips thickness (W4)	4.0 mm
Head width (W3)	11.5 mm
Handle width	7.5 mm
Jaw length (L3)	18.0 mm
Application	cut at 1.6 mm and crunch wire



technical change and errors excepted

