

Product information

31 21 160

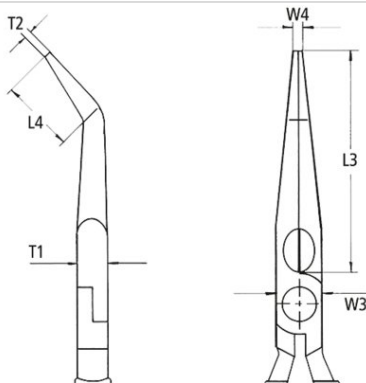
- Precision pliers for very exact assembly, bending and adjusting work
- Slim and ergonomically shaped for work in poorly accessible areas
- Smooth ground gripping surfaces
- Edges carefully deburred

Flat Nose Pliers (Needle-Nose Pliers)



General	
Article No.	31 21 160
EAN	4003773046790
Pliers	black atramentized
Head	polished
Handles	plastic coated
Weight	97 g
Dimensions	160 x 55 x 15 mm
REACH compliant	does not contain SVHC
RoHS compliant	not applicable

Technical details	
Jaw thickness (joint) (T1)	7.5 mm
Tips width (W4)	1.8 mm
Tips thickness (T2)	2.5 mm
Gripping surface length (L4)	27.0 mm
Jaw length (L3)	55.0 mm
Head width (W3)	16.0 mm
Head angle	45 °



technical change and errors excepted