

Product information

27 01 160

- For gripping and separating of single wires in harnesses
- With centre cutter for soft wire
- Half-round jaws
- Knurled gripping surfaces

Snipe Nose Pliers with centre cutter (Telephone Pliers)

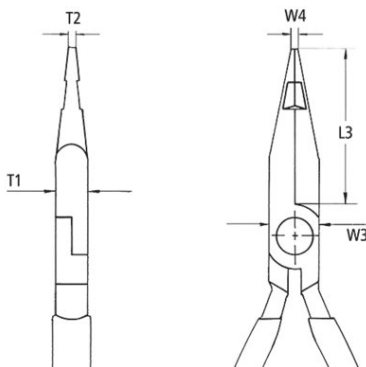


General

Article No.	27 01 160
EAN	4003773016106
Head	polished
Handles	plastic coated
Weight	120 g
Dimensions	160 x 51 x 12 mm
REACH compliant	does not contain SVHC
RoHS compliant	not applicable

Technical details

Jaw thickness (joint) (T1)	9.5 mm
Tips width (W4)	3.0 mm
Tips thickness (T2)	2.0 mm
Jaw length (L3)	47.0 mm
Head width (W3)	16.5 mm



technical change and errors excepted

