

## Product information

# 26 26 200 SB

## Snipe Nose Side Cutting Pliers (Stork Beak Pliers)

DIN ISO 5745 IEC 60900 DIN EN 60900

- Elastic tips: dimensionally stable even when twisted
- Distortion-tolerant, elastic precision tips
- Half-round, long, tapered jaws
- With cutting edges for soft, medium-hard and hard wire
- Cutting edges additionally induction-hardened, cutting edge hardness approx. 61 HRC
- 40° angled jaws
- Vanadium electric steel, forged, multi stage oil-hardened



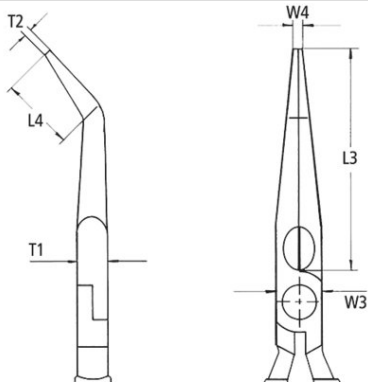
### General

|                 |  |
|-----------------|--|
| Article No.     | 26 26 200 SB                                     |
| EAN             | 4003773010944                                    |
| Pliers          | chrome-plated                                    |
| Head            | chrome-plated                                    |
| Handles         | insulated with multi-component grips, VDE-tested |
| Weight          | 226 g  |
| Dimensions      | 200 x 84 x 20 mm                                 |
| Standard        | DIN ISO 5745 DIN EN 60900 IEC 60900              |
| REACH compliant | does not contain SVHC                            |
| RoHS compliant  | not applicable                                   |

### Technical details

|  |          |
|--|----------|
| Cutting capacities medium hard wire (diameter) | Ø 3.2 mm |
| Cutting capacities hard wire (diameter)        | Ø 2.2 mm |
| Jaw thickness (joint) (T1)                     | 9.5 mm   |
| Tips width (W4)                                | 3.0 mm   |
| Tips thickness (T2)                            | 2.5 mm   |
| Gripping surface length (L4)                   | 23.0 mm  |
| Jaw length (L3)                                | 73.0 mm  |
| Head width (W3)                                | 18 mm    |
| VDE tested                                     | yes      |

## Technical details



*technical change and errors excepted*