

Product information

26 25 200

Snipe Nose Side Cutting Pliers (Stork Beak Pliers)

DIN ISO 5745



- Half-round, long, tapered jaws
- Distortion-tolerant, elastic precision tips
- Suitable for finer gripping and cutting work, also on easy and semi-difficult to reach areas
- With cutting edges for soft, medium-hard and hard wire
- Cutting edges additionally induction-hardened, cutting edge hardness approx. 61 HRC

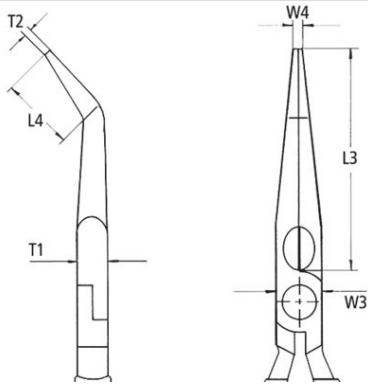
General

Article No.	26 25 200
EAN	4003773035039
Pliers	chrome-plated
Head	chrome-plated
Handles	with multi-component grips
Weight	199 g
Dimensions	200 x 48 x 19 mm
Standard	DIN ISO 5745
REACH compliant	does not contain SVHC
RoHS compliant	not applicable

Technical details

Cutting capacities medium hard wire (diameter)	Ø 3.2 mm
Schneidwerte harter Draht (Durchmesser)	Ø 2.2 mm
Jaw thickness (joint) (T1)	9.5 mm
Tips width (W4)	3.0 mm
Tips thickness (T2)	2.5 mm
Gripping surface length (L4)	23.0 mm
Jaw length (L3)	73.0 mm
Head width (W3)	18 mm

Technical details



technical change and errors excepted

