

## Product information

# 26 25 200 SB

## Snipe Nose Side Cutting Pliers (Stork Beak Pliers)

DIN ISO 5745

- Half-round, long, tapered jaws
- Distortion-tolerant, elastic precision tips
- Suitable for finer gripping and cutting work, also on easy and semi-difficult to reach areas
- With cutting edges for soft, medium-hard and hard wire
- Cutting edges additionally induction-hardened, cutting edge hardness approx. 61 HRC



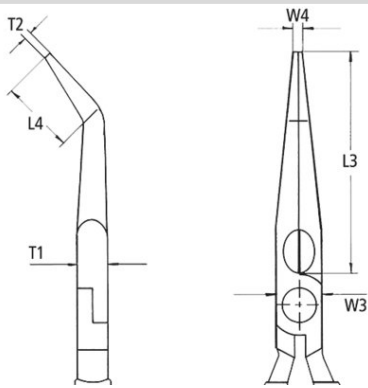
### General

Article No.	26 25 200 SB
EAN	4003773010937
Pliers	chrome-plated
Head	chrome-plated
Handles	with multi-component grips
Weight	221 g
Dimensions	200 x 84 x 18 mm
Standard	DIN ISO 5745
REACH compliant	does not contain SVHC
RoHS compliant	not applicable

### Technical details

Cutting capacities medium hard wire (diameter)	Ø 3.2 mm
Schneidwerte harter Draht (Durchmesser)	Ø 2.2 mm
Jaw thickness (joint) (T1)	9.5 mm
Tips width (W4)	3.0 mm
Tips thickness (T2)	2.5 mm
Gripping surface length (L4)	23.0 mm
Jaw length (L3)	73.0 mm
Head width (W3)	18 mm

## Technical details



*technical change and errors excepted*

