

Product information

26 22 200 T BK

Snipe Nose Side Cutting Pliers (Stork Beak Pliers)

DIN ISO 5745

- Half-round, long, tapered jaws
- Distortion-tolerant, elastic precision tips
- Suitable for finer gripping and cutting work, also on easy and semi-difficult to reach areas
- Pliers with tether attachment point for mounting a fall protection system
- With cutting edges for soft, medium-hard and hard wire
- Cutting edges additionally induction-hardened, cutting edge hardness approx. 61 HRC



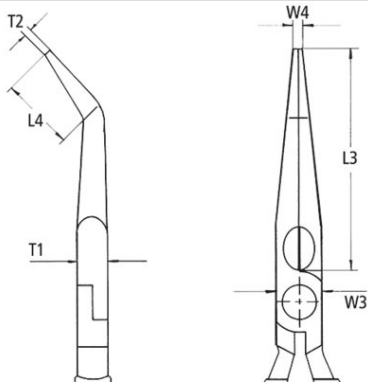
General

Article No.	26 22 200 T BK
EAN	4003773080435
Pliers	black atramentized
Head	polished
Handles	with multi-component grips, with integrated tether attachment point for a tool tether
Weight	230 g
Dimensions	200 x 95 x 26 mm
Standard	DIN ISO 5745
REACH compliant	does not contain SVHC
RoHS compliant	not applicable

Technical details

Cutting capacities medium hard wire (diameter)	Ø 3.2 mm
Schneidwerte harter Draht (Durchmesser)	Ø 2.2 mm
Jaw thickness (joint) (T1)	9.5 mm
Tips width (W4)	3.0 mm
Tips thickness (T2)	2.5 mm
Gripping surface length (L4)	23.0 mm
Jaw length (L3)	73.0 mm
Head width (W3)	18 mm

Technical details



technical change and errors excepted

