

## Product information

# 26 21 200 SB

## Snipe Nose Side Cutting Pliers (Stork Beak Pliers)

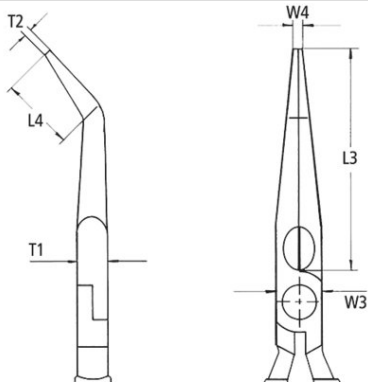
DIN ISO 5745

- Half-round, long, tapered jaws
- Distortion-tolerant, elastic precision tips
- Suitable for finer gripping and cutting work, also on easy and semi-difficult to reach areas
- With cutting edges for soft, medium-hard and hard wire
- Cutting edges additionally induction-hardened, cutting edge hardness approx. 61 HRC



General	
Article No.	26 21 200 SB
EAN	4003773010913
Pliers	black atramentized
Head	polished
Handles	plastic coated
Weight	193 g
Dimensions	200 x 84 x 19 mm
Standard	DIN ISO 5745
REACH compliant	does not contain SVHC
RoHS compliant	not applicable
Technical details	
Cutting capacities medium hard wire (diameter)	Ø 3.2 mm
Schneidwerte harter Draht (Durchmesser)	Ø 2.2 mm
Jaw thickness (joint) (T1)	9.5 mm
Tips width (W4)	3.0 mm
Tips thickness (T2)	2.5 mm
Gripping surface length (L4)	23.0 mm
Jaw length (L3)	73.0 mm
Head width (W3)	18 mm

## Technical details



*technical change and errors excepted*

