

Product information

25 21 160

Snipe Nose Side Cutting Pliers (Radio Pliers)

DIN ISO 5745

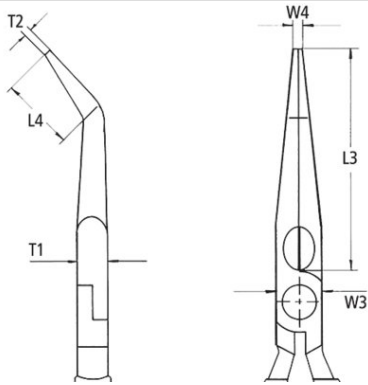
- Half-round, long, tapered jaws
- Suitable for finer gripping and cutting work, also on easy and semi-difficult to reach areas
- Knurled gripping surfaces
- With cutting edges for soft, medium-hard and hard wire
- Cutting edges additionally induction-hardened, cutting edge hardness approx. 61 HRC



General	
Article No.	25 21 160
EAN	4003773050476
Pliers	black atramentized
Head	polished
Handles	plastic coated
Weight	116 g
Dimensions	160 x 52 x 17 mm
Standard	DIN ISO 5745
REACH compliant	does not contain SVHC
RoHS compliant	not applicable

Technical details	
Cutting capacities medium hard wire (diameter)	Ø 2.5 mm
Schneidwerte harter Draht (Durchmesser)	Ø 1.6 mm
Jaw thickness (joint) (T1)	9.0 mm
Tips width (W4)	3.0 mm
Tips thickness (T2)	2.5 mm
Jaw length (L3)	50.0 mm
Head width (W3)	16.5 mm
Gripping surface length (L4)	23 mm

Technical details



technical change and errors excepted

