

Product information

20 01 180

- Flat, short, wide jaws
- Suitable for gripping flat materials in easily accessible places
- Knurled gripping surfaces

Flat Nose Pliers

DIN ISO 5745

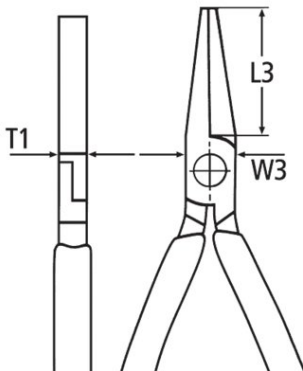


General

Article No.	20 01 180
EAN	4003773042440
Pliers	black atramentized
Head	polished
Handles	plastic coated
Weight	185 g
Dimensions	180 x 56 x 13 mm
Standard	DIN ISO 5745
REACH compliant	does not contain SVHC
RoHS compliant	not applicable

Technical details

Jaw thickness (joint) (T1)	10.0 mm
Jaw length (L3)	35.0 mm
Head width (W3)	19.0 mm



technical change and errors excepted

